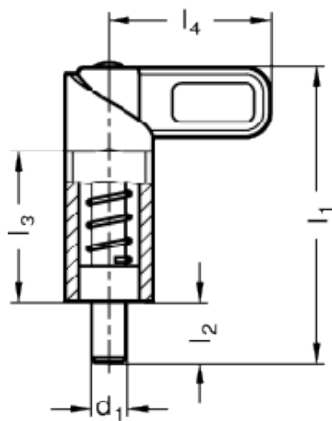


# GN 722.2

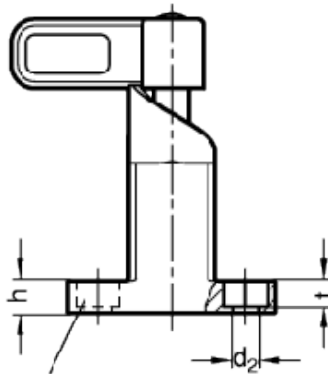
Lever indexing plungers  
with rest position



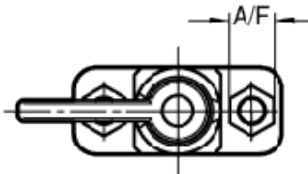
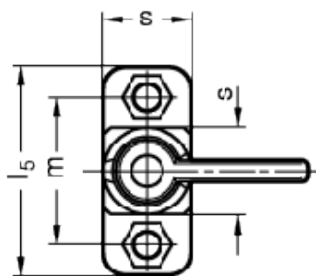
Plunger protruded  
(Type A)



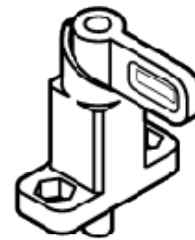
Plunger retracted  
(Type B)



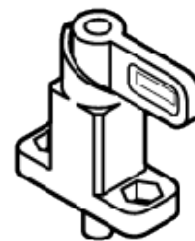
Counterbored for  
cap screw DIN 912  
hexagon head screw DIN 931



Type A



Type B



## technical informations

### Guide

Steel precision cast.

- Version ZB: zinc plated, blue passivated.

- Version SW: zinc plated, epoxy resin coating, RAL 9005 black matte finish.

Latch

Steel precision cast, zinc plated, blue passivated.

### Plunger

Steel, zinc plated, blue passivated. Suggested matching hole with tolerance  $\pm 0.1/\pm 0.3$ .

### Standard versions available

- Type A: Latch position right-angled to fixing holes
- Type B: Latch position parallel to fixing holes

### Features and applications

Spring latches GN 722.2 are used when the indexing pin is temporarily not allowed to protrude. The indexing pin retracts by turning the latch by 180°.

A lock notch will hold the latch in both positions.

Spring latches GN 722.2 are designed for use in steel construction or in locksmith shops where less precise positioning / locking is normally required. The dimensional tolerances are therefore chosen to ensure that functional safety is guaranteed under dirt exposure and that cost-effective production methods are used.

| Standard Elements   | Main dimensions |                   |     |            |    |               |       |       |       |       |    |     | Spring pressure in N $\approx$ |         | Weight |
|---------------------|-----------------|-------------------|-----|------------|----|---------------|-------|-------|-------|-------|----|-----|--------------------------------|---------|--------|
|                     | Description     | $d_1 -0.05/-0.25$ | s   | $d_2 +0.2$ | h  | $l_1 \approx$ | $l_2$ | $l_3$ | $l_4$ | $l_5$ | m  | A/F | t                              | Preload |        |
| GN 722.2-8-20-A-SW  | 8               | 20                | 6.1 | 7.5        | 68 | 14            | 35    | 37    | 48    | 34    | 10 | 6.1 | 16                             | 55      | 164    |
| GN 722.2-8-20-A-ZB  | 8               | 20                | 6.1 | 7.5        | 68 | 14            | 35    | 37    | 48    | 34    | 10 | 6.1 | 16                             | 55      | 164    |
| GN 722.2-8-20-B-SW  | 8               | 20                | 6.1 | 7.5        | 68 | 14            | 35    | 37    | 48    | 34    | 10 | 6.1 | 16                             | 55      | 164    |
| GN 722.2-8-20-B-ZB  | 8               | 20                | 6.1 | 7.5        | 68 | 14            | 35    | 37    | 48    | 34    | 10 | 6.1 | 16                             | 55      | 164    |
| GN 722.2-10-20-A-SW | 10              | 20                | 6.1 | 7.5        | 68 | 14            | 35    | 37    | 48    | 34    | 10 | 6.1 | 16                             | 55      | 169    |
| GN 722.2-10-20-A-ZB | 10              | 20                | 6.1 | 7.5        | 68 | 14            | 35    | 37    | 48    | 34    | 10 | 6.1 | 16                             | 55      | 169    |
| GN 722.2-10-20-B-SW | 10              | 20                | 6.1 | 7.5        | 68 | 14            | 35    | 37    | 48    | 34    | 10 | 6.1 | 16                             | 55      | 169    |
| GN 722.2-10-20-B-ZB | 10              | 20                | 6.1 | 7.5        | 68 | 14            | 35    | 37    | 48    | 34    | 10 | 6.1 | 16                             | 55      | 169    |
| GN 722.2-12-20-A-SW | 12              | 20                | 6.1 | 7.5        | 68 | 14            | 35    | 37    | 48    | 34    | 10 | 6.1 | 16                             | 55      | 173    |
| GN 722.2-12-20-A-ZB | 12              | 20                | 6.1 | 7.5        | 68 | 14            | 35    | 37    | 48    | 34    | 10 | 6.1 | 16                             | 55      | 173    |
| GN 722.2-12-20-B-SW | 12              | 20                | 6.1 | 7.5        | 68 | 14            | 35    | 37    | 48    | 34    | 10 | 6.1 | 16                             | 55      | 173    |
| GN 722.2-12-20-B-ZB | 12              | 20                | 6.1 | 7.5        | 68 | 14            | 35    | 37    | 48    | 34    | 10 | 6.1 | 16                             | 55      | 173    |
| GN 722.2-14-20-A-SW | 14              | 20                | 6.1 | 7.5        | 68 | 14            | 35    | 37    | 48    | 34    | 10 | 6.1 | 16                             | 55      | 180    |
| GN 722.2-14-20-A-ZB | 14              | 20                | 6.1 | 7.5        | 68 | 14            | 35    | 37    | 48    | 34    | 10 | 6.1 | 16                             | 55      | 180    |
| GN 722.2-14-20-B-SW | 14              | 20                | 6.1 | 7.5        | 68 | 14            | 35    | 37    | 48    | 34    | 10 | 6.1 | 16                             | 55      | 180    |
| GN 722.2-14-20-B-ZB | 14              | 20                | 6.1 | 7.5        | 68 | 14            | 35    | 37    | 48    | 34    | 10 | 6.1 | 16                             | 55      | 180    |



STANDARD MACHINE ELEMENTS WORLDWIDE